

FYLDE MICRO

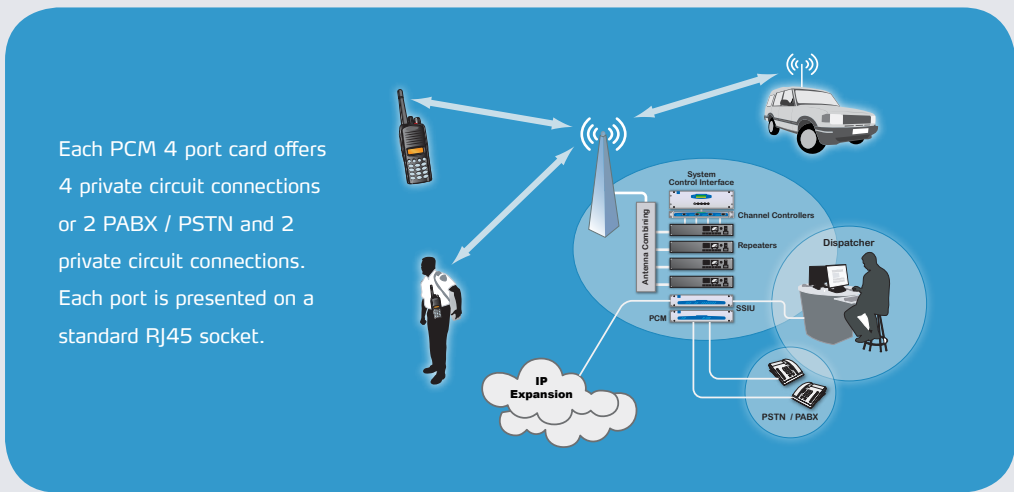


Single Site Interconnect
MPT 1327 Infrastructure Components



SSTA-K is an SSIU and 2U PCM switch combination making a cost-effective solution for telephone and data connection on single site systems.

The SSTA-K allows for connection of a site to the PSTN or PABX networks. The SSTA-K combination also enables expansion to connect Message Handling Dispatcher (MHD), Vehicle & personnel tracking (AVL) as well as the system control terminal (SYSCON).



MPT 1327 Product Range



Management, AVL & Dispatcher



Channel Controllers TSSCO3



System Control Interface SCIO3



Single Site Interconnect SSIU



PCM Audio Switch 2u



PCM Audio Switch 6u



Regional Control Processor RCP



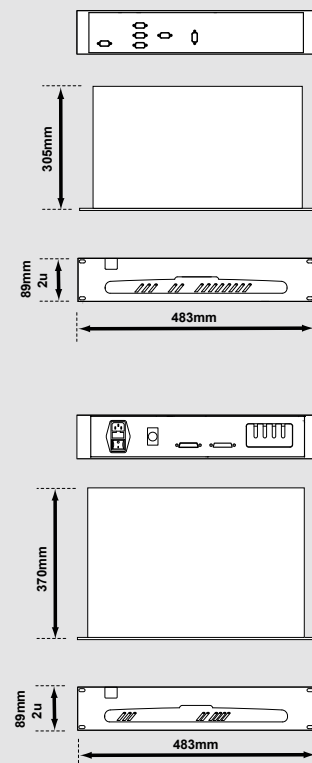
Message Handling Dispatcher
System Management
GPS Asset Tracking

TECHNICAL SPECIFICATION

DESCRIPTION:

SPECIFICATION:

MAXIMUM number of TSC Sites	1
MAXIMUM number of PSTN phone lines	2 (Expandable to 24 using 6u Switch)
MAXIMUM number of PABX phone lines	2 (Expandable to 24 using 6u Switch)
MAXIMUM number of VDU Line Dispatchers	1
MAXIMUM number of PCM switch interfaces	1
MAXIMUM number of System Terminal interfaces	1
MAXIMUM number of simultaneous speech calls	64
ALL INTERFACE TYPES	RS232 - 9 way D-type
APPROVALS (SSIU)	EMC Directive 89/336 EEC (143)
SSIU - POWER REQUIREMENTS (operational) – DC only	8-18Vdc @ 200mA
SSIU - OPERATING TEMPERATURE RANGE	-10°C to + 70°C
SSIU - OPERATING HUMIDITY RANGE	10% to 90% n/c.
MAXIMUM number of PCM ports	4 (Expandable to 8)
MAXIMUM number of phone interfaces	2 per 4-Port Card (Expandable to 24)
INPUT Resistance	600 Ohms
OUTPUT Resistance	600 Ohms
INPUT Level	-30 dBm to +0 dBm
OUTPUT Level	-30 dBm to +0 dBm
AUDIO BANDWIDTH	200Hz - 3400Hz
CONTROL INTERFACE TYPE	RS232 (25 way D-type)
APPROVALS (PCM)	BABT - UK EMC Directive 89/336 EEC (143)
PCM - POWER REQUIREMENTS (operational) – AC only	110/240VAC @ 100VA
PCM - POWER REQUIREMENTS (operational) – DC only	10.5 - 16 Vdc @ 310mA (Per 4 card)
PCM - NOMINAL OPERATIONAL VOLTAGE	13.8Vdc



SSIU



PCM Switch

